

System No. C-AJ-0117

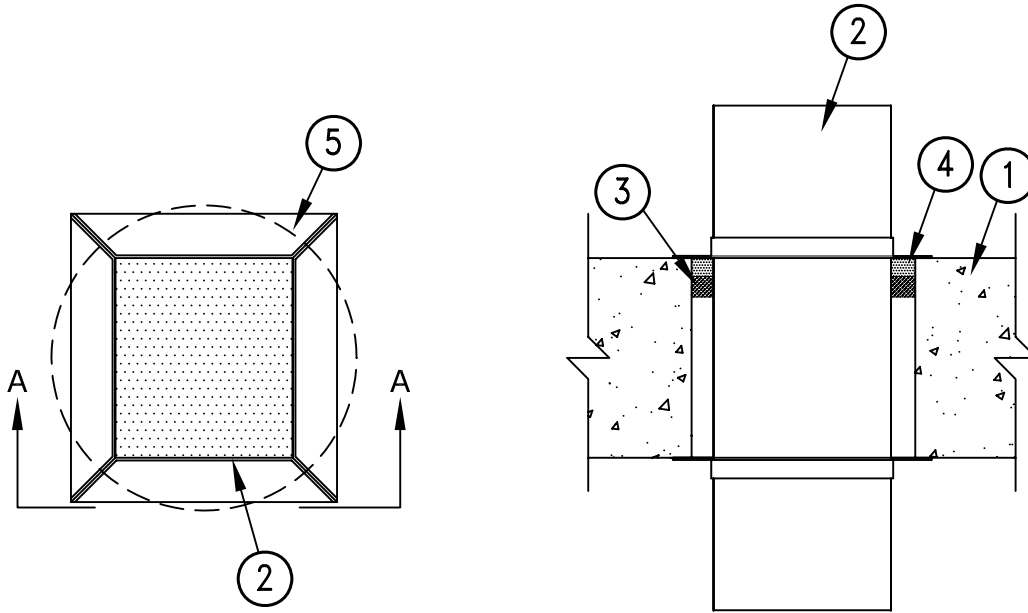
February 26, 2008

T Ratings - 1/2 and 1-1/2 Hr

F Rating - 2 Hr

L Rating At Ambient - 23 CFM/sq ft.

L Rating At 400°F - 4 CFM/sq ft.



SECTION A-A

1. CONCRETE FLOOR ASSEMBLY
2. FIRESTOP THROUGH DEVICE
3. 4 PCF MINERAL WOOL
4. FIRESTOP SEALANT/CAULK
5. MOUNTING FLANGE