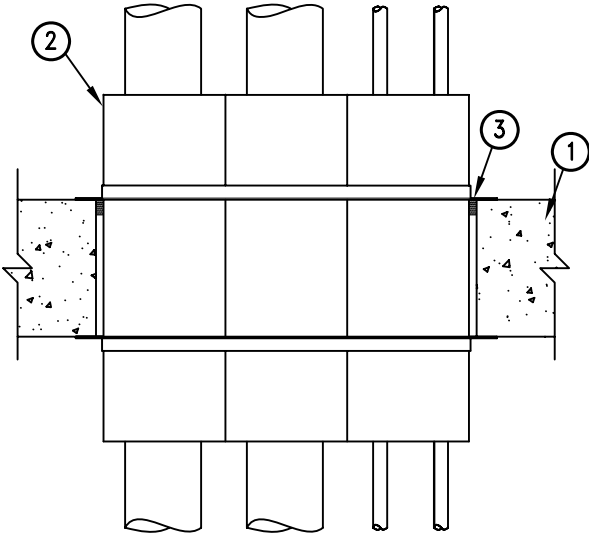
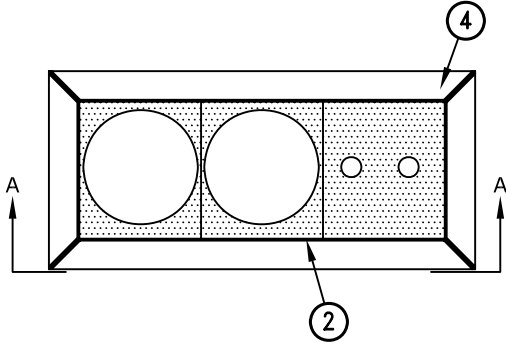


System No. C-AJ-1539

T Ratings - 0 Hr

F Rating - UP TO 3 Hr



SECTION A-A

- 1. CONCRETE FLOOR ASSEMBLY
- 2. FIRESTOP THROUGH DEVICE
- 3. FIRESTOP SEALANT/CAULK
- 4. MOUNTING FLANGE