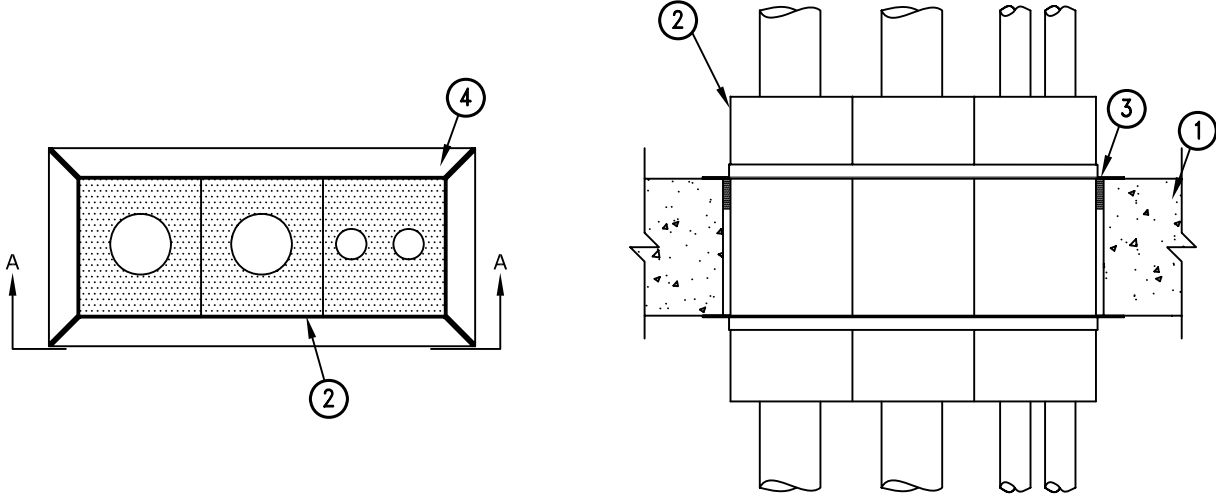


System No. C-AJ-2539

T Ratings - Up To 2 Hrs

F Rating - 2 Hr



SECTION A-A

- 1. CONCRETE FLOOR ASSEMBLY
- 2. ABESCO CT120 CABLE TRANSIT
- 3. ABESCO CP310 FR ACRYLIC INTUMESCENT CAULK
- 4. MOUNTING FLANGE