

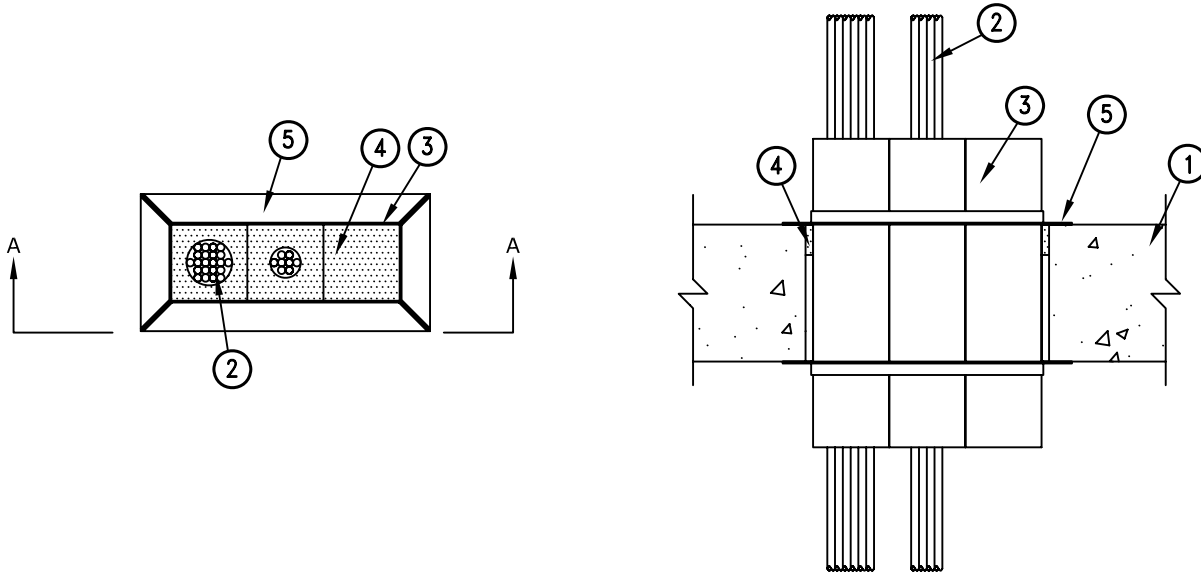
**System No. C-AJ-3254**

T Ratings - 1 Hr

F Rating - 3 Hr

L Rating at ambient - 8 CFM/sq ft.

L Rating at 400 F - 6 CFM/sq ft.



SECTION A-A

1. CONCRETE FLOOR ASSEMBLY
2. THROUGH PENETRANT
3. ABESCO CT 120 CABLE TRANSIT
4. ABESCO CP 310 FR ACRYLIC INTUMESCENT/FR PUTTY
5. MOUNTING FLANGE