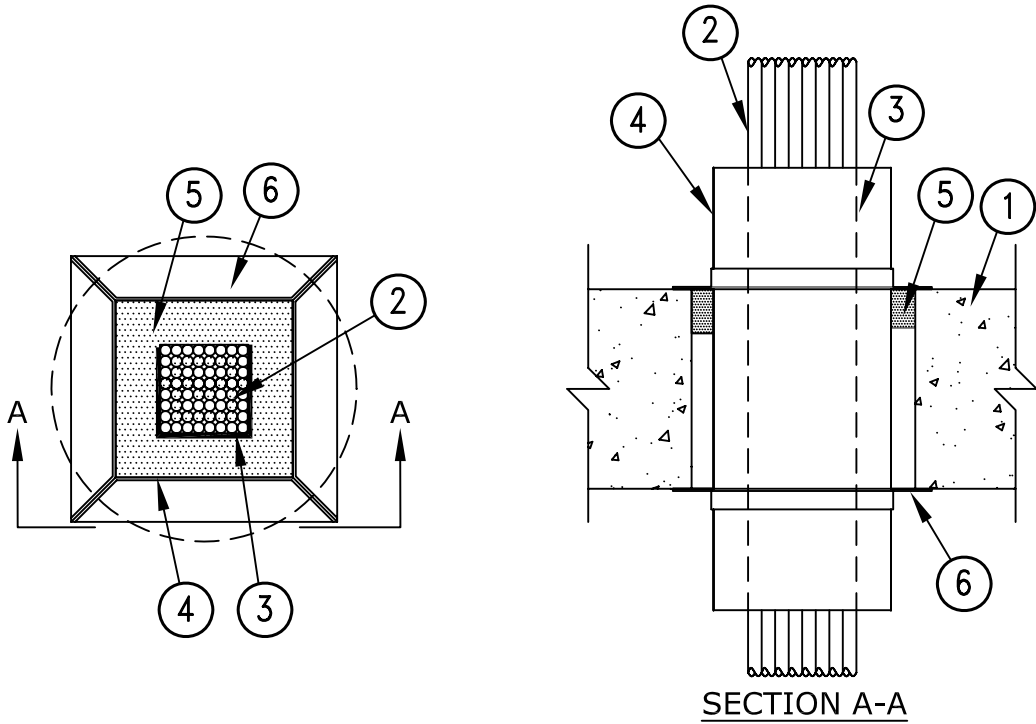


System No. C-AJ-4081

T Ratings - 0 Hr

F Rating - 3 Hr



1. CONCRETE FLOOR ASSEMBLY
2. THROUGH PENETRANT
3. CABLE TRAY
4. ABESCO CT120 CABLE TRANSIT
5. ABESCO CP 310 FR ACRYLIC INTUMESCENT CAULK
6. MOUNTING FLANGE