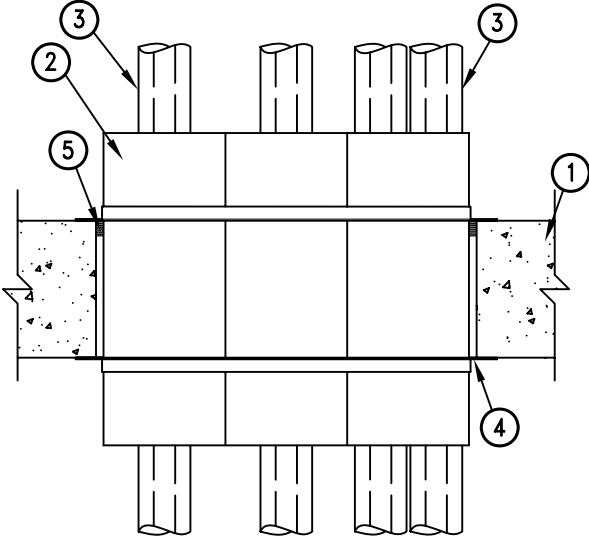
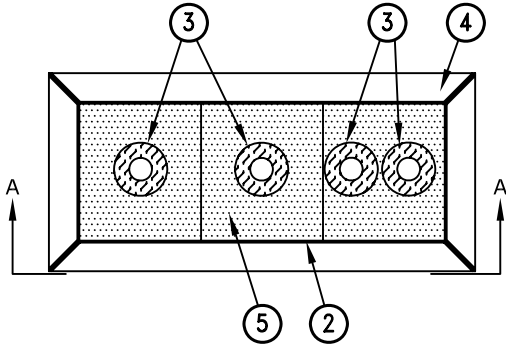


System No. C-AJ-5294

T Ratings - 3/4 Hr

F Rating - 2 Hr



SECTION A-A

- 1. CONCRETE FLOOR ASSEMBLY
- 2. ABESCO CT 120/R and CT120 CABLE TRANSIT
- 3. THROUGH PENETRANT
- 4. MOUNTING FLANGE
- 5. ABESCO CP310 FR ACRYLIC INTUMESCENT CAULK