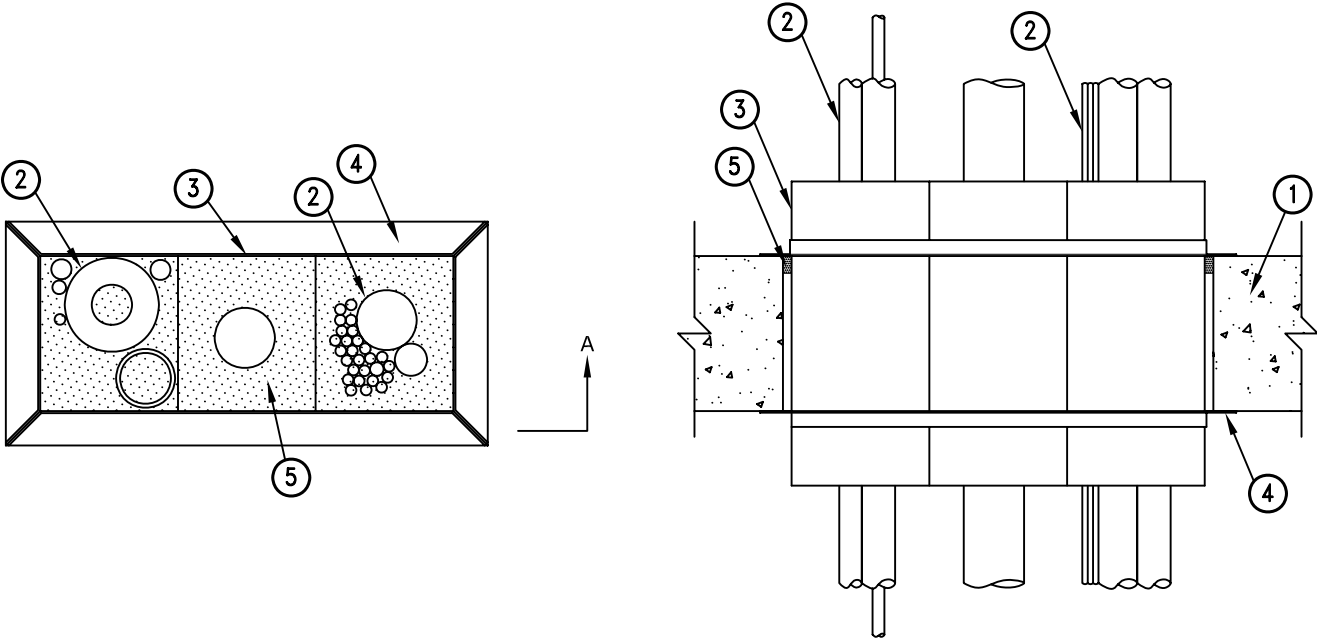


System No. C-AJ-8173

T Ratings - 0 Hr

F Rating - 2 Hr



SECTION A-A

- 1. CONCRETE FLOOR ASSEMBLY
- 2. THROUGH PENETRANT
- 3. ABESCO CT120 CABLE TRANSIT
- 4. MOUNTING FLANGE
- 5. ABESCO CP310 FR ACRYLIC INTUMESCENT CAULK/ FR PUTTY