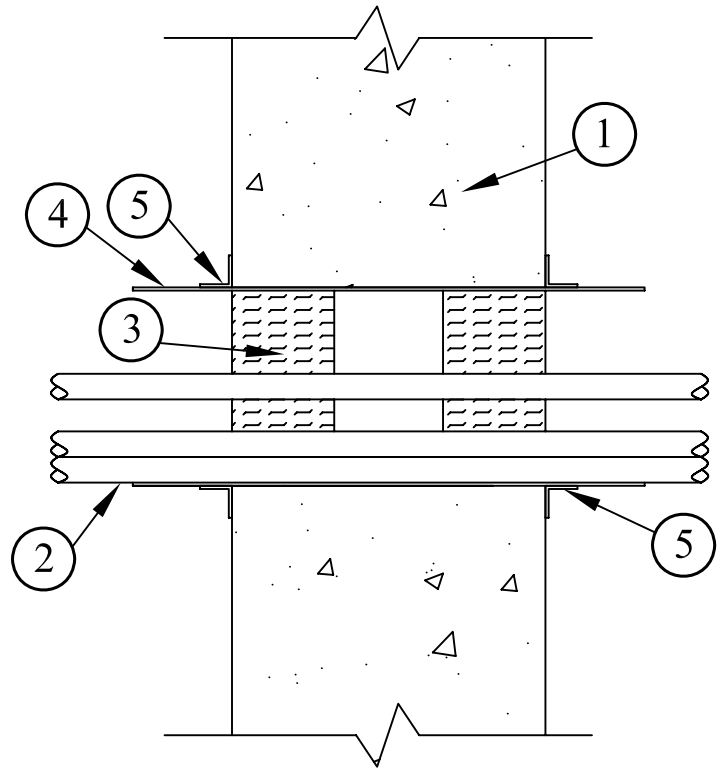
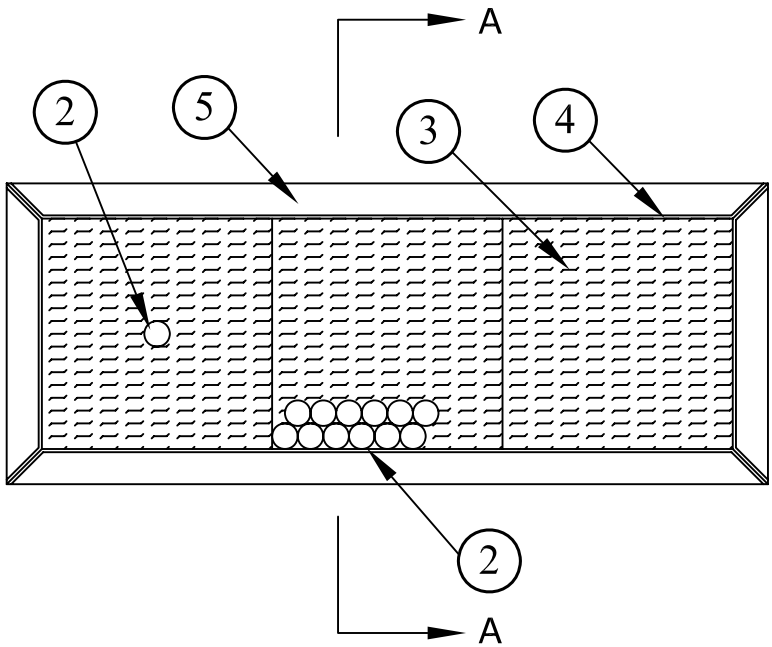


**System No. W-J-3136**

T Ratings - 0 Hr

F Rating - 1 & 2 Hr



SECTION A-A

1. CONCRETE WALL ASSEMBLY
2. CABLE
3. PACKING MATERIAL 4 PCF MINERAL WOOL BATTING INSULATION
4. ABESCO CT120 TRANSIT
5. CT MOUNTING FLANGE