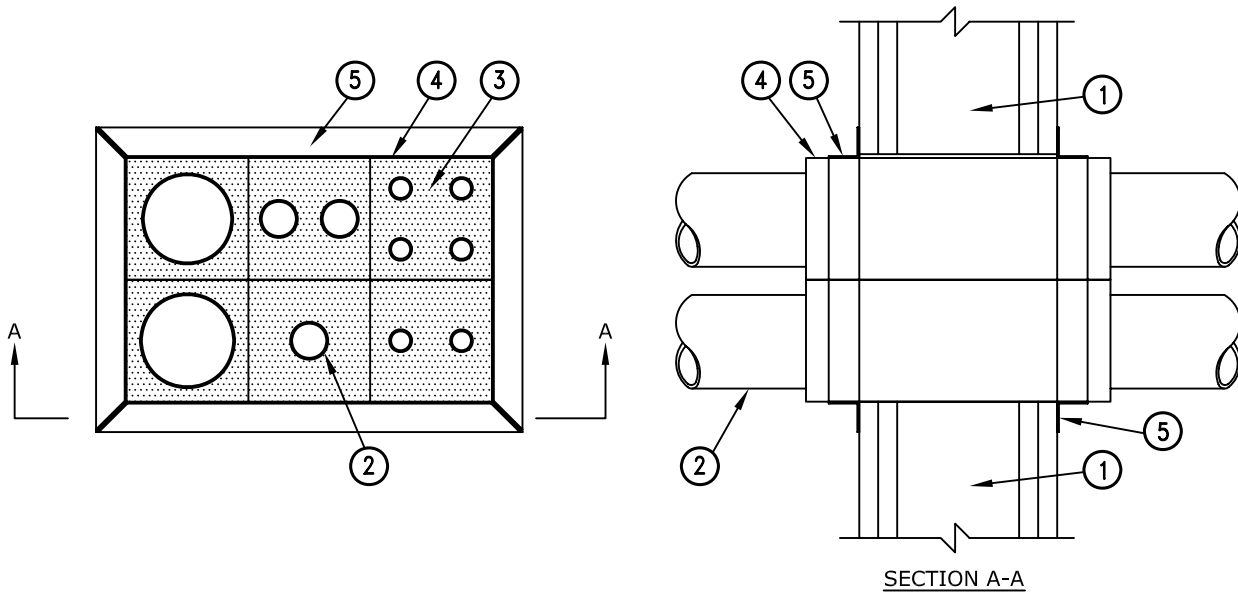


**System No. W-L-1403**

T Ratings - 0 Hr

F Rating - Up to 2 Hr



1. WALL ASSEMBLY
2. THROUGH PENETRANT
3. ABESCO CP310 FR ACRYLIC INTUMESCENT CAULK
4. ABESCO CT120/R OR CT120 CABLE TRANSIT
5. MOUNTING FLANGE